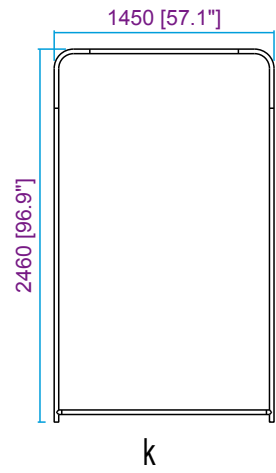
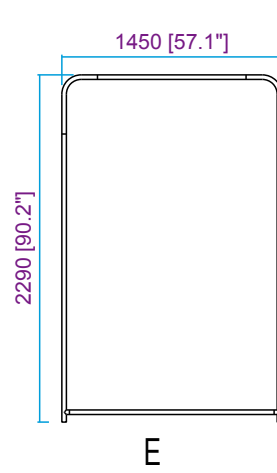


# Tension Fabric Display Pack

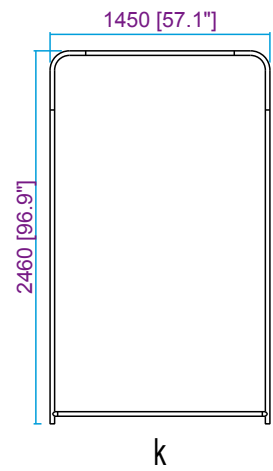
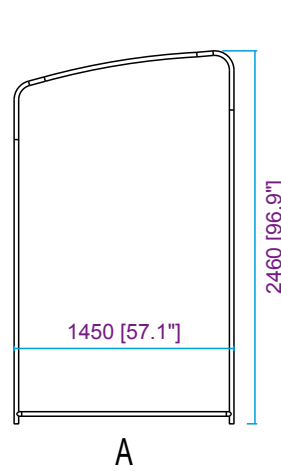
## TECHNIQUES

3X3 m  
9m<sup>2</sup>

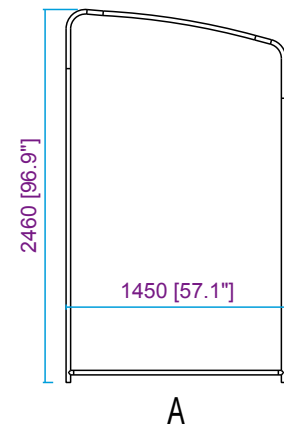
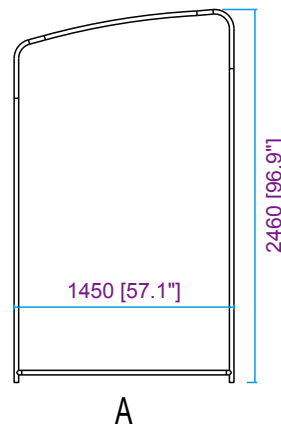
### PACK #1001



### PACK #1002



### PACK #1003

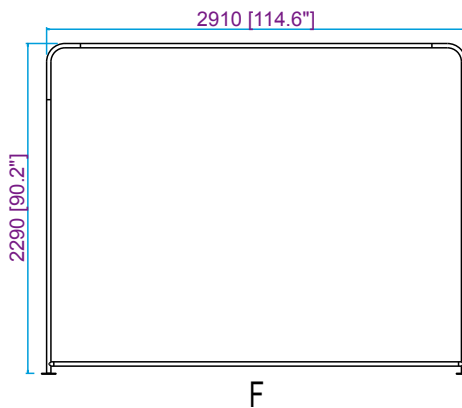
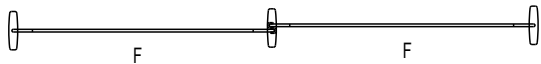


# Tension Fabric Display Pack

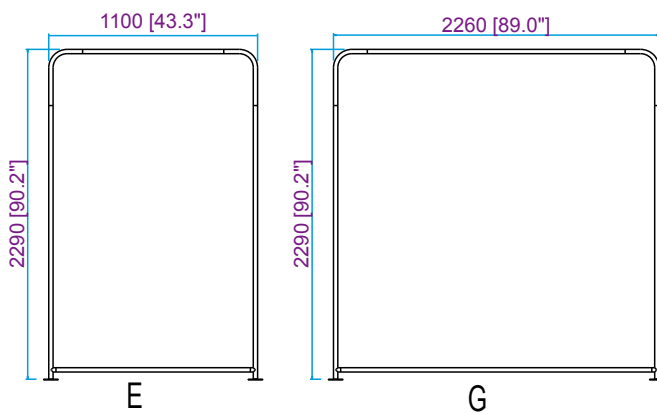
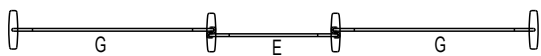
## TECHNIQUES

3X6 m  
18m<sup>2</sup>

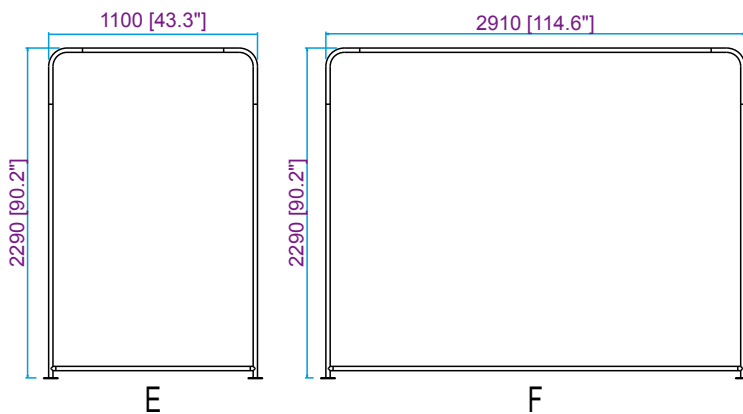
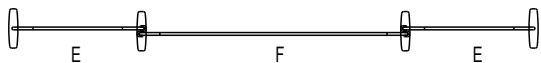
### PACK #2001



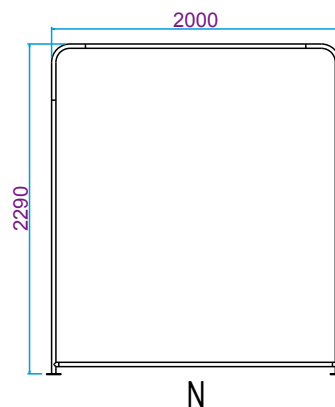
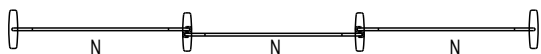
### PACK #2002



### PACK #2003



### PACK #2004

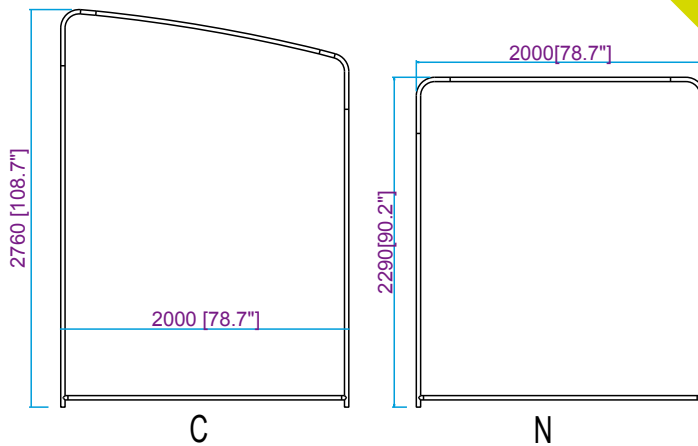
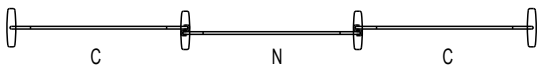


# Tension Fabric Display Pack

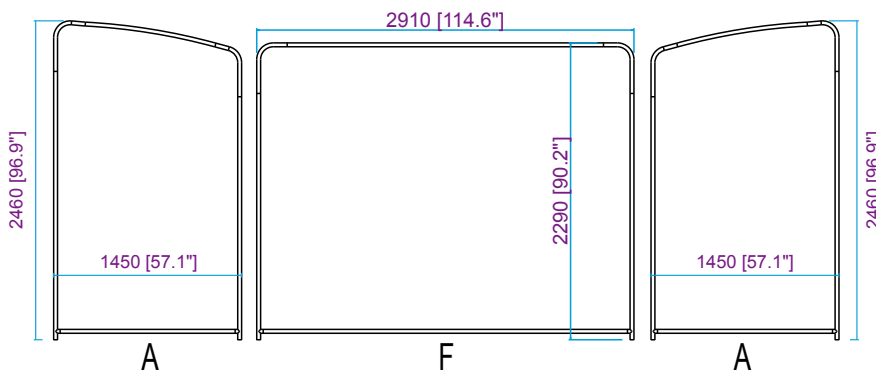
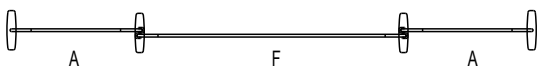
## TECHNIQUES

3X6 m  
18m<sup>2</sup>

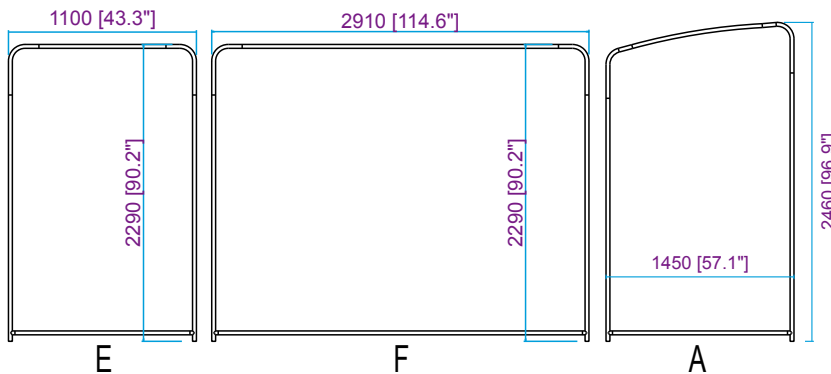
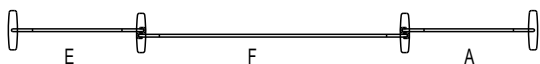
### PACK #2005



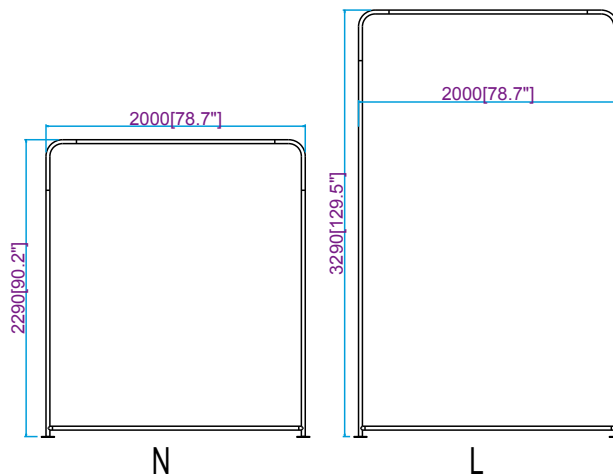
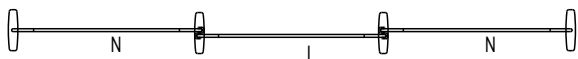
### PACK #2006



### PACK #2007



### PACK #2008

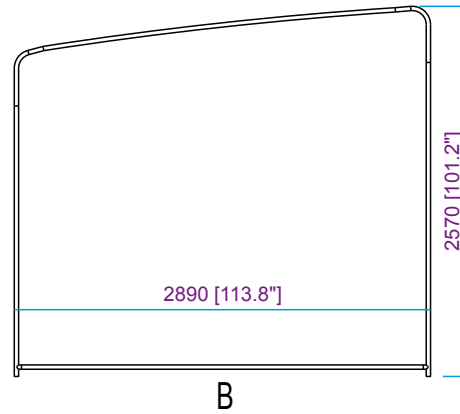
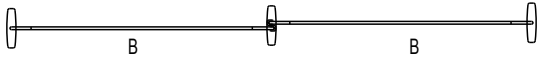


# Tension Fabric Display Pack

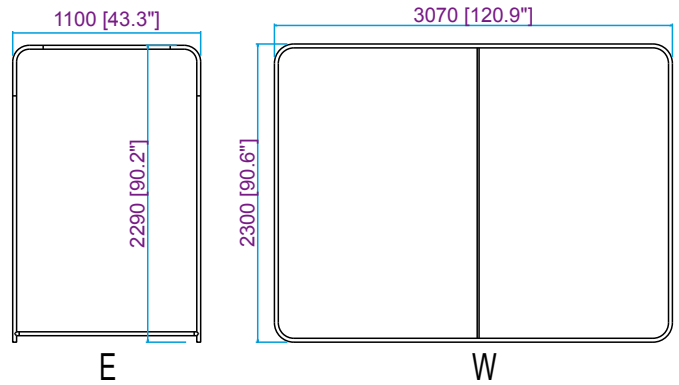
## TECHNIQUES

3X6 m  
18m<sup>2</sup>

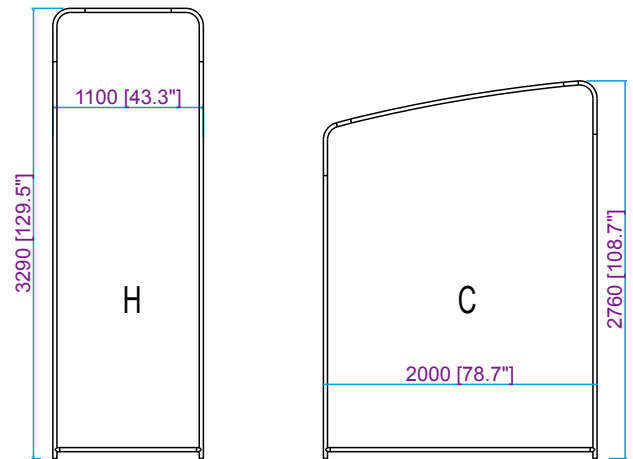
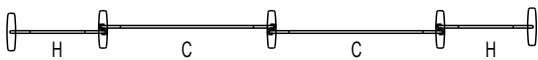
### PACK #2009



### PACK #2010



### PACK #2011



### PACK #2012

